

evolve™

enjoy more. use less.™

Single Function Showerhead with ShowerStart™ TSV

1.75 GPM WATERSENSE SHOWERHEAD
EV3011-CP175-XX



FEATURES

- Integrated ShowerStart™ TSV (Thermostatic Shut-off Valve) prevents hot water waste during shower warm up
- 1.75 gpm (6.6 L/min) maximum flow @ 80 psi
- 1.3 gpm (4.9 L/min) minimum flow @ 45 psi
- Single function, full-body spray pattern
- 54 rub-clean, anti-clog spray nozzles
- Pressure compensating flow regulation
- Designed for use with static water pressures of 30 PSI or higher
- 3 year warranty

SHOWERSTART™ TSV

- Automatically reduces flow to a trickle once water reaches 95° F (35° C)
- Normal flow is resumed by pulling lanyard
- Automatically resets for next use after water flow to showerhead is terminated
- Designed for use in environments with static water pressures of 30 psi or higher

CODES / STANDARDS APPLICABLE

SPECIFIC MODEL MEETS OR EXCEEDS THE FOLLOWING:

- WaterSense & Uniform Plumbing Codes (cUPC): IAPMO IGC 244-2007a & ASME A112.18.1-2011/C-SA B125.1-11.
- Conforms to A112.18.1M. For use with automatic compensating valves rated at 1.1 gpm (4.2 L/min) or less.



PRODUCT SPECIFICATION

The Single Function Showerhead with ShowerStart TSV shall attach to shower arms with ½” NPT male fittings and flow at maximum rate of 1.75 gpm (6.6 L/min). The integrated ShowerStart TSV shall automatically reduce the showerhead’s flow to a trickle once water measuring 95° F (35° C) reaches the fixture to save the hot water that’s used during the user’s warm-up routine (behavioral waste). The trickle shall continue until the user reactivates normal flow by pulling on the TSV’s lanyard or toggling the bypass lever to which the lanyard is attached. Once the ShowerStart TSV has been bypassed, the showerhead will continue to flow at a maximum rate of 1.75 gpm (6.6 L/min) until water flow to the showerhead is terminated. The ShowerStart TSV shall automatically reset itself for next use. The Single Function Showerhead with ShowerStart TSV is designed to operate in plumbing environments with static water pressures of 30 psi or higher.

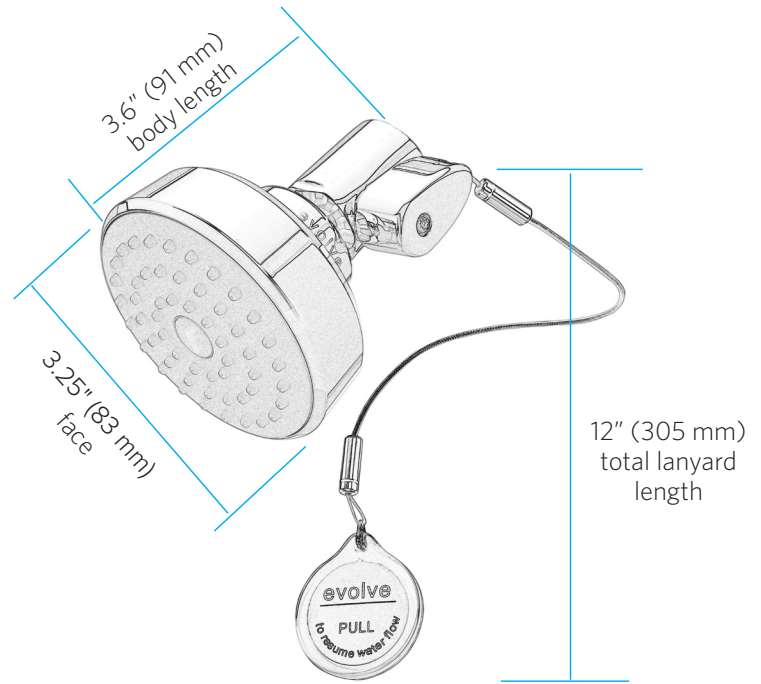
SPECIFIED MODEL

MODEL	DESCRIPTION	FINISH
EV3011-CP175-SB	1.75 gpm (6.6 L/min) WaterSense Showerhead with ShowerStart TSV, full body spray; single shipper box	chrome polish
EV3011-CP175-BP	1.75 gpm (6.6 L/min) WaterSense Showerhead with ShowerStart TSV, full body spray; 48unit bulk pack	chrome polish

Single Function Showerhead with ShowerStart™ TSV

PHYSICAL CHARACTERISTICS

- Solid brass ½" NPT fittings (female)
- Plated ABS body
- Single function, full-body spray pattern
- 54 rub-clean, anti-clog spray nozzles
- Spray face diameter: 3.25" (83 mm)
- Length: 3.6" (91 mm)
- Weight: 9 oz (255 gm)
- 12" Detachable lanyard



TECHNICAL NOTES

The ShowerStart TSV is not an anti-scald device:

- Lower water heater to a maximum of 120° F (49° C)
- Always resume water flow and check water temperature before entering shower
- Tankless systems require a minimum flow rate to produce hot water. When this product is used with some tankless systems a brief, yet noticeable, change in the shower's temperature may occur shortly after resuming the shower's normal flow.

PERFORMANCE VS. WATERSENSE STANDARD

WaterSense was created by the EPA to establish minimum performance requirements for efficient showerheads with the goal of improving user satisfaction. This showerhead exceeds the WaterSense standard and, as a result, users receive a great feeling, water and energy saving shower regardless of their home's water pressure.

