



OIL-FIRED MOBILE HOME FURNACE SPECIFICATIONS

| MODEL NO. | OME-72D36 | |
|--------------------------------------|---------------------------|-----------|
| | LOW FIRE | HIGH FIRE |
| HEAT INPUT RATE (BTUH) | 70,000 | 85,000 |
| OUTPUT (BTUH) ¹ | 60,000 | 72,000 |
| SEASONAL EFFICIENCY ² | 86% | 86% |
| FUEL | #2 FUEL OIL | |
| NOMINAL TEMP. RISE | 65° | |
| CASING HEIGHT (IN.) | 57" | |
| CASING WIDTH (IN.) | 18" | |
| CASING DEPTH (IN.) | 24-3/4" | |
| FLUE DIAMETER (IN.) | 4" | |
| NOMINAL FLUE OUTLET DIAMETER (IN.) | 4" | |
| APPROX. SHIPPING WEIGHT (LBS.) | 240 LBS. | |
| APPROVAL AGENCY | ETL | |
| SIZE OF PERM. FILTER | 18" X 24" | |
| ELECTRICAL REQUIREMENTS | 115 VAC / 60 HZ / 1 PHASE | |
| MAX FUSE SIZE | 15 AMPS | |
| TOTAL RATED CURRENT AMPS. | 11 | |
| SUPPLY AIR OUTLET SIZE (W-IN X D-IN) | 12" X 12" | |
| RETURN AIR INLET OPENING SIZE | 14" X 22" (LOUVERED) | |
| NOMINAL HEAT ANTICIPATOR SETTING | 0.2mA | |
| | ACCESSORY ITEMS | |
| PROGRAMMABLE T-STAT STD/DELUXE | 350164 / 350165 | |
| MOBILE HOME BASE | 70-BASE | |
| COTTAGE BASE | 01COT-BASE | |
| COIL CABINET FOR 2 TON | CE111S | |
| COIL CABINET FOR 2.5 & 3 TON | CE211T | |
| ROOF JACK 12" OR LESS | TRJ-1 | |
| ROOF JACK 13" TO 24" | TRJ-2 | |
| ROOF JACK 25" TO 36" | TRJ-3 | |
| VENT PIPE | VP-1 | |
| SLOPE ADAPTOR 2-1/2-12 | TSA-25 | |
| SLOPE ADAPTOR 3-1/2-12 | TSA-30 | |
| COMBUSTION AIR INTAKE HOOD | AOPS7402 | |
| TRANSITION BOOT w/ SCREEN | AOPS8419 | |
| BLOCKED VENT KIT ³ | AOPS2686 | |
| ROOF JACK COMBUSTION AIR KIT | AOPS7512 | |
| OFFSET VENT KIT | AOPS7518 | |

¹ OUTPUT BTUH BASED ON ANNUAL FUEL UTILIZATION EFFICIENCY RATED BY MANUFACTURER.

² SEASONAL EFFICIENCY (ALSO CALLED AFUE-ANNUAL FUEL UTILIZATION EFFICIENCY) RATINGS ARE BASED ON TESTS FOLLOWING U.S. DEPARTMENT OF ENERGY TEST PROCEDURES.

³ NOT TO BE USED IN MOBILE HOME APPLICATIONS WITH A ROOF-JACK.

- SEE NEXT PAGE FOR MORE DATA -

CLEARANCES TO COMBUSTIBLES

| MODEL: OME-72 | CLOSET | ALCOVE |
|-----------------------|---------------|---------------|
| FRONT | 6" | 18" |
| BACK | 0" | 0" |
| SIDES | 0" | 0" |
| ROOF JACK | 0" | 0" |
| VENT CONNECTOR | 6" | 6" |
| TOP | 1" | 1" |
| PLENUM SIDES | 1" | 1" |
| TOP AND SIDES OF DUCT | 1" | 1" |
| BOTTOM DUCT | 1" | 1" |

BLOWER DATA

| FURNACE MODEL | OME-72D36 |
|--|------------------|
| BLOWER MODEL | 12-9T |
| MOTOR H.P. | ½ HP |
| NO. OF SPEEDS | 4 |
| HIGH SPEED AIRFLOW (SCFM) @ 0.5 IN. W.G. EXTERNAL STATIC PRESSURE | 1195 |
| DIAMETER X WIDTH | 12 x 9 |

BURNER DATA

| FURNACE MODEL | OME-72 |
|----------------------|-------------------------|
| BURNER MODEL | BECKETT AFG |
| SPEC. NO | TP-1406 |
| AIR TUBE LENGTH | 3" |
| HEAD | F-3 |
| NOZZLE | 0.50x80°A / 0.60x80°A * |
| REFRACTORY | ISOFORM (SOFT CHAMBER) |
| PUMP PRESSURE (PSIG) | 120 |

* NOZZLE INSTALLED IN BURNER AS SHIPPED.

- SEE NEXT PAGE FOR MORE DATA -

OIL-FIRED MOBILE HOME FURNACE SPECIFICATIONS

OME-72D36

| ALTERATIONS REQ'D FOR A/C @ DESIGN EXTERNAL STATIC PRESSURE | | | |
|---|--------------------|-----------|-----------------------|
| COOLING UNIT | HTG Speed by Input | | Recommended CLG Speed |
| | Low Fire | High Fire | |
| 24,000 | Low | ML | Med Low |
| 30,000 | Low | ML | Med High |
| 36,000 | Low | ML | High |

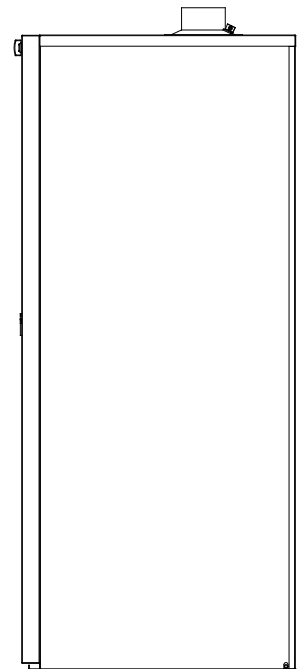
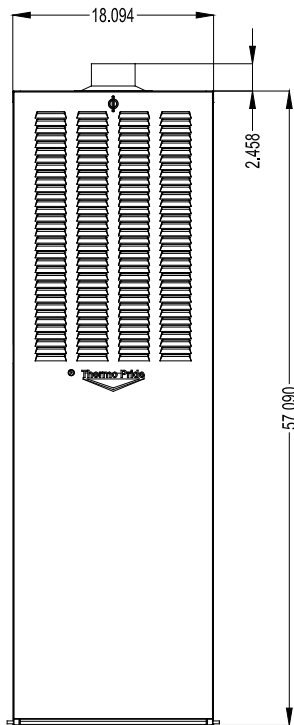
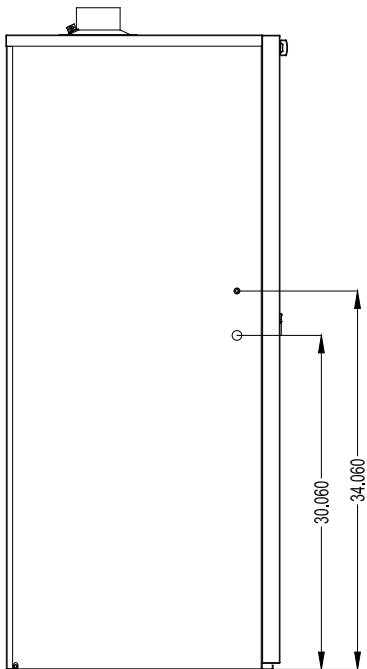
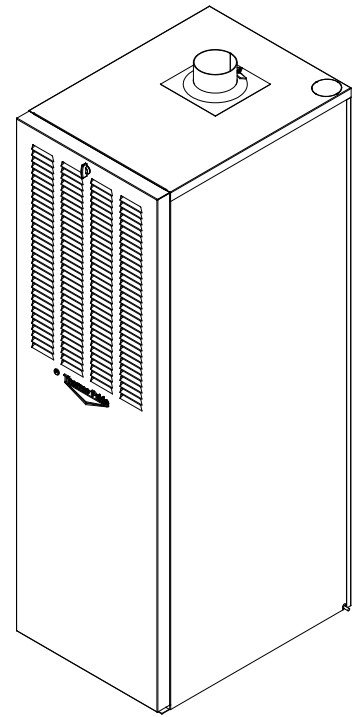
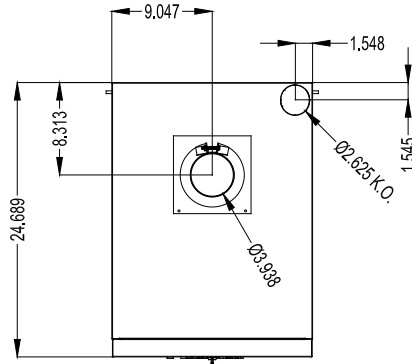
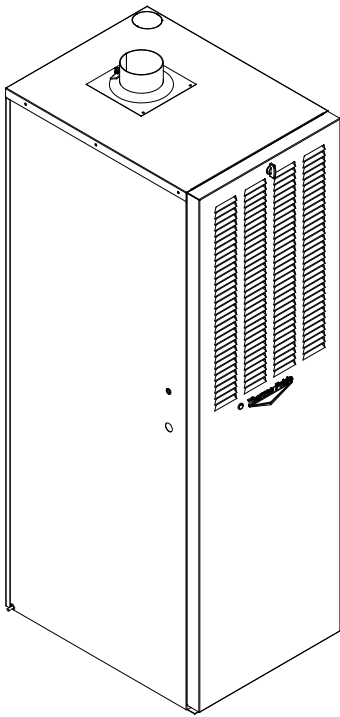
| Speed Tap\ Static Pressure | Furnace Airflow (CFM) vs. External Static pressure (in. WC.) | | | | | | |
|---|--|-----------|-----------|-----------|-----------|-----------|-----------|
| | 0.1 | 0.2 | 0.3 | 0.4 | 0.5 | 0.6 | 0.7 |
| Low | 849 | 809 | 768 | 724 | 677 | 627 | 512 |
| ML | 1011 | 971 | 923 | 887 | 849 | 776 | 724 |
| MH | 1227 | 1200 | 1156 | 1145 | 1092 | 1004 | 923 |
| High | 1492 | 1443 | 1397 | 1354 | 1295 | 1195 | 1092 |
| Blower Motor Current Draw / Power (Amps / Watts) vs. External Static pressure (in. WC.) | | | | | | | |
| Low | 3.2 / 309 | 3.2 / 310 | 3.0 / 297 | 2.9 / 292 | 2.8 / 285 | 2.7 / 280 | 2.6 / 271 |
| ML | 4.0 / 400 | 4.0 / 394 | 3.9 / 386 | 3.7 / 374 | 3.5 / 364 | 3.4 / 352 | 3.3 / 343 |
| MH | 4.9 / 508 | 4.8 / 497 | 4.6 / 481 | 4.5 / 472 | 4.3 / 455 | 4.0 / 429 | 3.8 / 415 |
| High | 5.8 / 618 | 5.7 / 607 | 5.5 / 586 | 5.3 / 570 | 5.2 / 554 | 4.9 / 532 | 4.7 / 515 |

| Speed Tap\ Static Pressure | High Fire Temperature Rise vs. External Static pressure (in. WC.) | | | | | | |
|----------------------------|---|-----|-----|-----|-----|-----|-----|
| | 0.1 | 0.2 | 0.3 | 0.4 | 0.5 | 0.6 | 0.7 |
| Low | 80 | 84 | 88 | 94 | 100 | 108 | 132 |
| ML | 67 | 70 | 73 | 76 | 80 | 87 | 94 |
| MH | 55 | 56 | 59 | 59 | 62 | 67 | 73 |
| High | 45 | 47 | 48 | 50 | 52 | 57 | 62 |

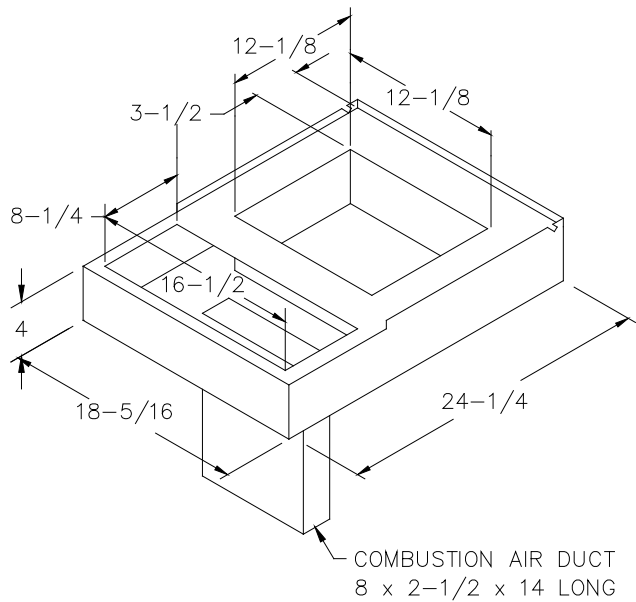
| Speed Tap\ Static Pressure | Low Fire Temperature Rise vs. External Static pressure (in. WC.) | | | | | | |
|----------------------------|--|-----|-----|-----|-----|-----|-----|
| | 0.1 | 0.2 | 0.3 | 0.4 | 0.5 | 0.6 | 0.7 |
| Low | 66 | 69 | 73 | 77 | 82 | 89 | 109 |
| ML | 55 | 57 | 60 | 63 | 66 | 72 | 77 |
| MH | 45 | 46 | 48 | 49 | 51 | 56 | 60 |
| High | 37 | 39 | 40 | 41 | 43 | 47 | 51 |

- SEE NEXT PAGE FOR MORE DATA -

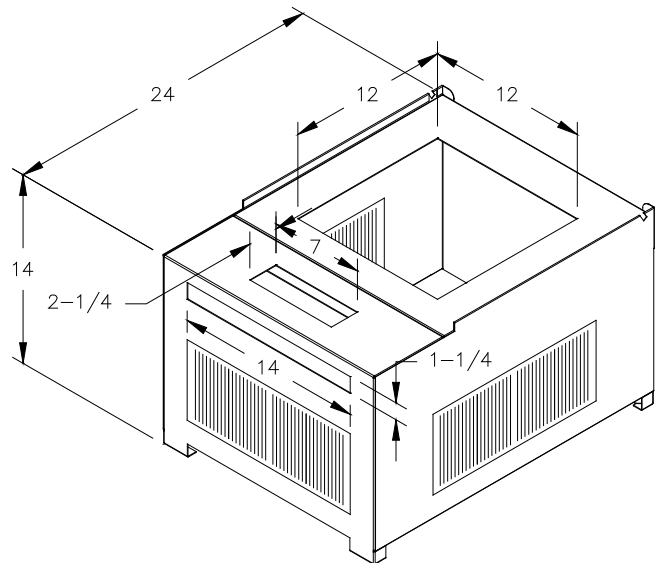
OIL-FIRED MOBILE HOME FURNACE SPECIFICATIONS OME-72



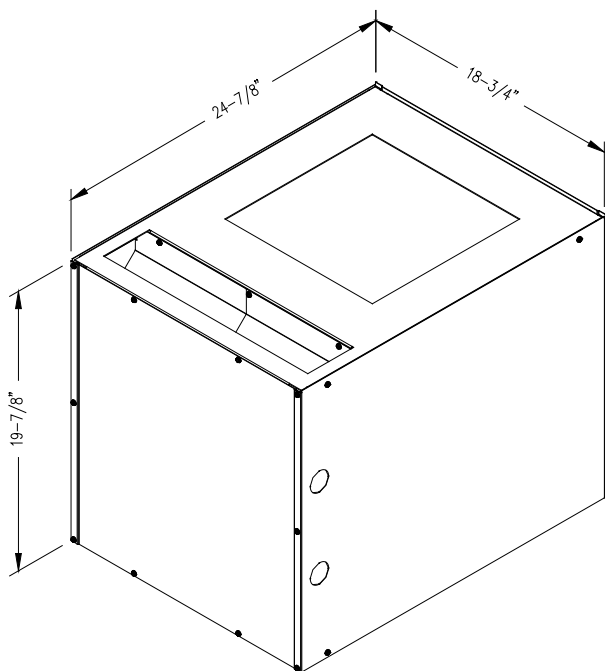
- SEE NEXT PAGE FOR MORE DATA -



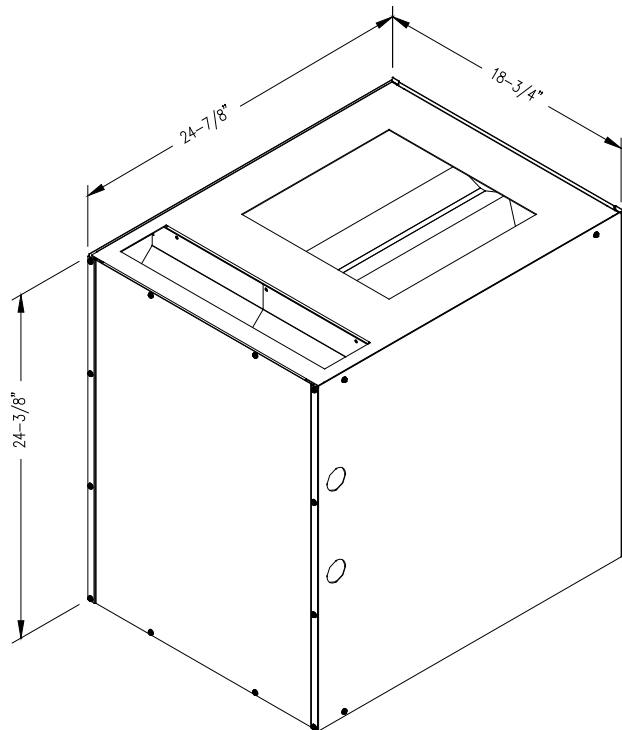
Combustible Floor Base Model: 70-BASE



Cottage Base Model: 01COT-BASE



Coil Cabinet Model: CE111S



Coil Cabinet Model: CE211T

- SEE NEXT PAGE FOR MORE DATA -

OIL-FIRED MOBILE HOME FURNACE SPECIFICATIONS

A/C EVAPORATOR COIL APPLICATION

| FURNACE MODEL | CONDENSER MODEL | LINE SET MODEL | COIL CABINET MODEL | EVAPORATOR COIL MODEL | SEER | EER | TOTAL (BTU/HR) HEAT REMOVAL | SENSIBLE HEAT REMOVAL |
|---------------|-----------------|----------------------|--------------------|-----------------------|-------|-------|-----------------------------|-----------------------|
| OME-72D36 | AC14241G2 | LS01E-30 LS01E-50 | CE111S/CE113S | 13U2430AB15 | 13.70 | 11.75 | 23,600 | 0.730 |
| | | | CE111S/CE113S | 13U3030AB15 | 14.00 | 11.85 | 23,800 | 0.733 |
| | | | CE211T/CE213T | 13U3036AB17 | 14.40 | 12.15 | 24,400 | 0.739 |
| | AC14301G2 | LS01E-30 LS01E-50 | CE111S/CE113S | 13U2430AB15 | 13.70 | 11.90 | 28,000 | 0.737 |
| | | | CE111S/CE113S | 13U3030AB15 | 14.00 | 12.05 | 28,400 | 0.739 |
| | | | CE211T/CE213T | 13U3036AB17 | 14.50 | 12.40 | 29,200 | 0.746 |
| | AC14361G2 | LS03E-30 LS03E-50 | CE111S/CE113S | 13U2430AB15 | 13.40 | 11.50 | 32,600 | 0.736 |
| | | | CE111S/CE113S | 13U3030AB15 | 13.70 | 11.70 | 33,200 | 0.740 |
| | | | CE211T/CE213T | 13U3036AB17 | 14.00 | 11.95 | 34,000 | 0.750 |

Rev: 9/20/11

SEE NEXT PAGE FOR MORE DATA

OME-72 SPECIFICATIONS

